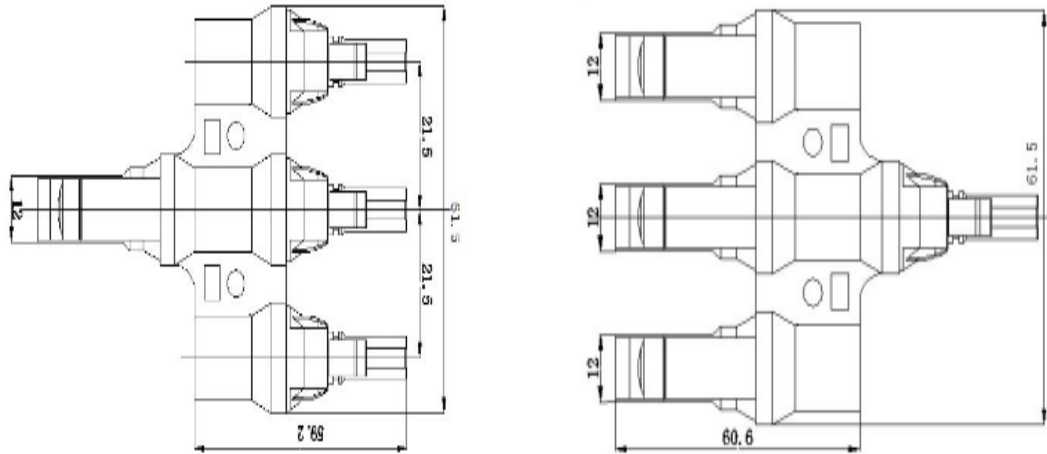


3 IN 1 OUT CONNECTOR

Description



2. Main specifications:

- with the capacity of age and UV-resistance;
- the pv connector can be used in the atrocious weather.
- Stable automatic lock-system makes connectors open and close easily
- IEC 62852:2015 ● Certification:TUV SUD ● Certificate No:B 17 10 87944 008

3. Technical parameters

Insulation material:PC

Contact material: Red copper tin plating

Rated voltage: 1500V DC

Safe class: Class II

Contact resistance: $\leq 0.5m\Omega$

Temperature range: $-40^{\circ}C \sim +85^{\circ}C$

Degree of protection: IP67

Flame class: UL94-V0

Connector unmating force:360Newton

